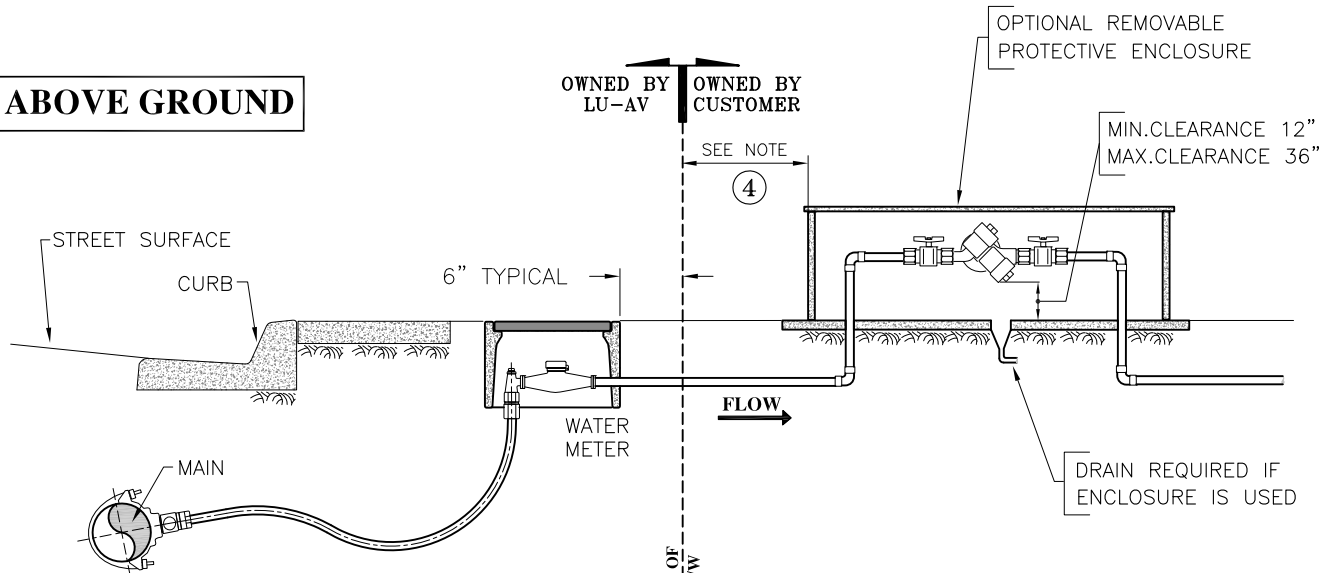
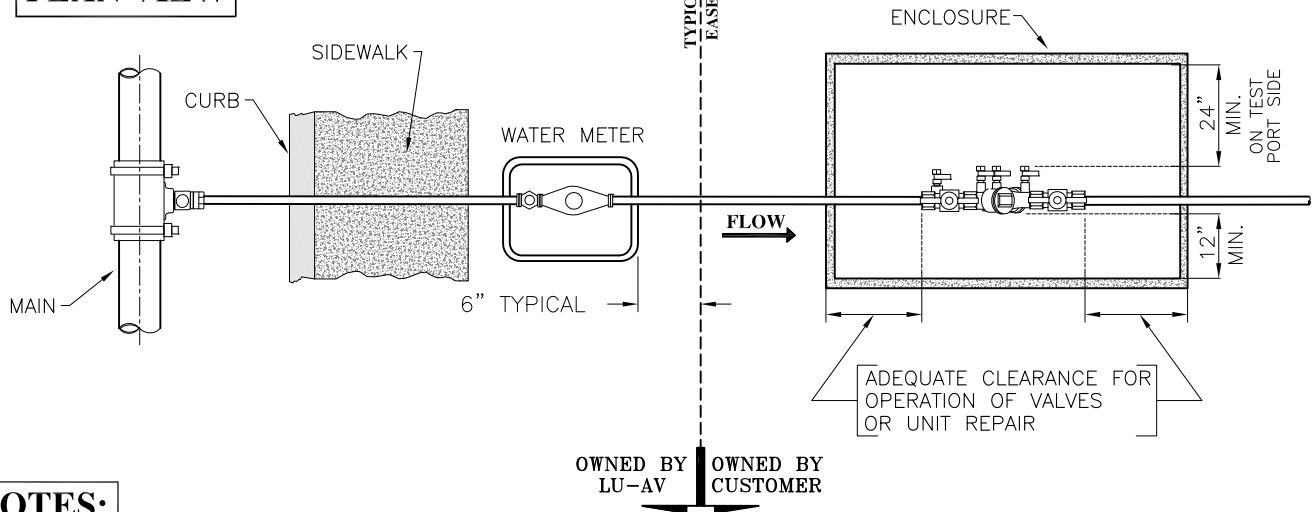


**TYPICAL INSTALLATION WITH MINIMUM CLEARANCES**

**ABOVE GROUND**



**PLAN VIEW**



**NOTES:**

- ① BACKFLOW PREVENTION DEVICE SHALL BE ON THE U.S.C. LIST OF APPROVED DEVICES.
- ② DEVICE MUST BE CERTIFIED AND TESTED IN PLACE BEFORE BEING PUT IN USE. DEVICE MUST BE RETESTED ANNUALLY. (LEAD FREE)
- ③ FOR QUESTIONS CONCERNING INSTALLATION, OPERATION & TESTING CALL THE CROSS-CONNECTION SPECIALIST AT LIBERTY UTILITIES - APPLE VALLEY.
- ④ ASSEMBLY SHALL BE LOCATED WITHIN CLOSE PROXIMITY TO R/W LINE OR EASEMENT LINE ON PRIVATE PROPERTY.
- ⑤ FREEZE PROTECTION IS REQUIRED ON ALL ABOVE GROUND ASSEMBLIES

DWN	<b>G. AKOPYAN</b>	CTB	LU-AV-Const
CHK	<b>RRD / GJM</b>	DATE	<b>02/02/17</b>
SHEET	<b>1 OF 1</b>	SCALE	<b>None</b>
FILE	N:\CAD\AV\Standards\Rev 02-02-17\AV-314.dwg		

SUBJECT: **STANDARD DRAWING**  
**REDUCED PRESSURE**  
**VALVE ASSEMBLY**  
**[ 2" & BELOW ]**

**LIBERTY UTILITIES - APPLE VALLEY**  
 21760 OTTAWA ROAD  
 APPLE VALLEY, CA 92307