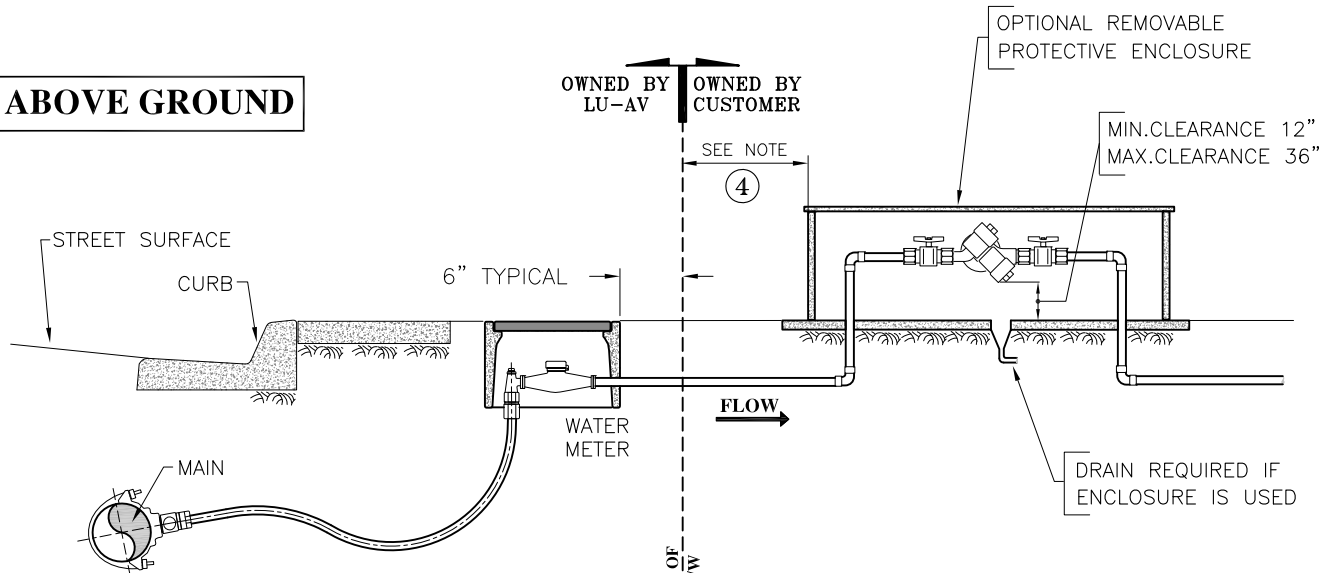
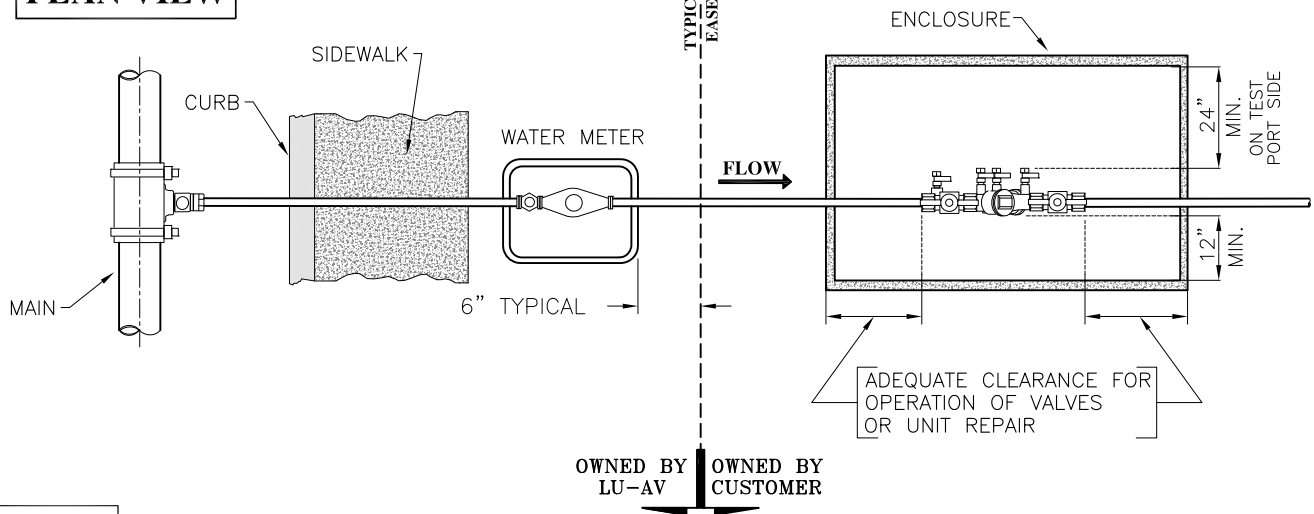


TYPICAL INSTALLATION WITH MINIMUM CLEARANCES

ABOVE GROUND



PLAN VIEW



NOTES:

- ① Backflow prevention device shall be on the U.S.C. list of approved devices.
- ② Device must be certified and tested in place before being put in use. Device must be retested annually. (Lead free)
- ③ For questions concerning installation, operation & testing call the Cross-Connection Specialist at Liberty Utilities – Apple Valley.
- ④ Assembly shall be located within close proximity to R/W line or easement line on private property.
- ⑤ Freeze protection is required on all above ground assemblies

DWN	G. AKOPYAN	CTB	LU-AV-Const
CHK	RRD / GJM	DATE	02/02/17
SHEET	1 OF 1	SCALE	None
FILE	N:\CAD\AV\Standards\Rev 02-02-17\AV-313.dwg		

SUBJECT: **STANDARD DRAWING**
DOUBLE CHECK
VALVE ASSEMBLY
[2" & BELOW]

LIBERTY UTILITIES - APPLE VALLEY
21760 OTTAWA ROAD
APPLE VALLEY, CA 92307